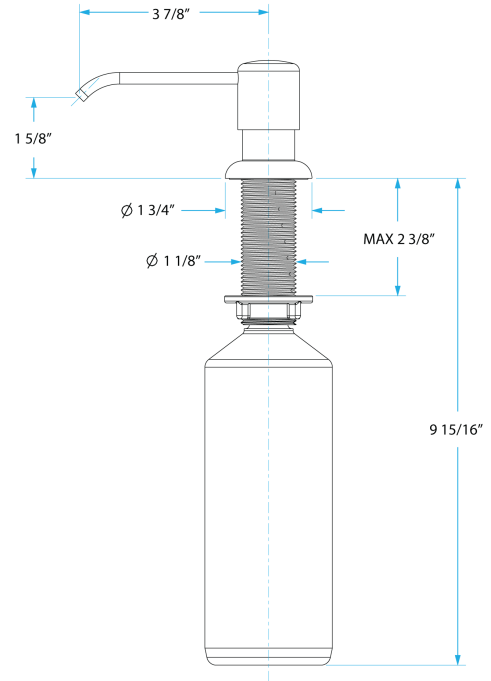
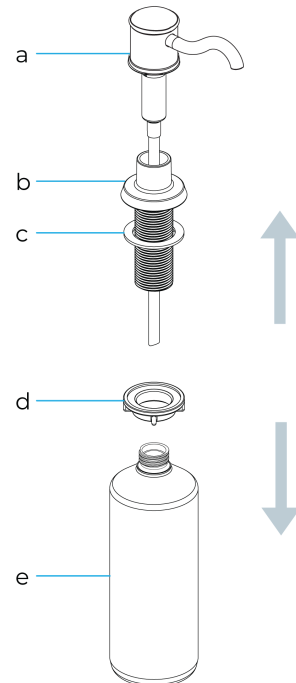


## FONTANA CHROME COMMERCIAL WATERFALL AUTOMATIC MOTION SENSOR FAUCET SPECS



### SPECS:

- Solid brass construction
- Self-priming pump
- Refillable from above
- Holds up to 17 oz. of liquid
- Pump: 1 5/8"
- Spout: 3 7/8"
- Spout height: 1-5/8"



- a. Pump  
b. Dispenser Base  
c. Washer  
d. Mounting Nut  
e. Dispenser Bottle